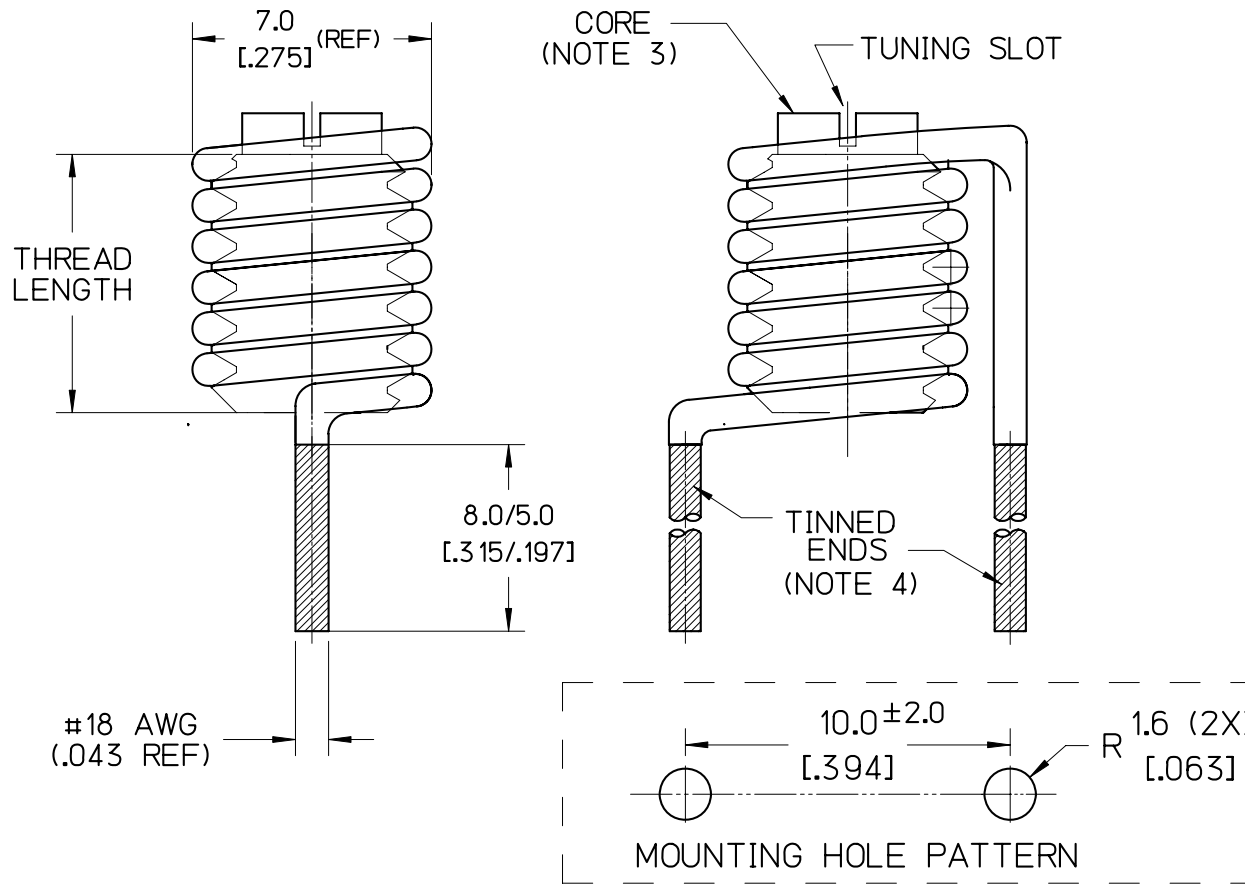


JLCXXEYYYTRVPC D

VARIABLE INDUCTOR COIL VERTICAL MOUNT PC STYLE (NONMAGNETIC)

PATENT No. 8,248,198

FILE: AIROUT



NOTES:

1. a. DIMENSIONS: mm
b. DIMENSIONS: [inches] FOR REFERENCE
2. COIL :
a. MATERIAL:
COPPER ALLOY (COATED)
b. COATING ABLE TO WITHSTAND
275°C FOR 100 HOURS AS PER
NEMA "CLASS 200". (REF: ASTM D2307)
3. CORE :
a. MATERIAL: PTFE / COPPER ALLOY
b. SELF-RESONANT FREQUENCY (SRF):
MEASURED WITH THE CORE FULLY
ENGAGED AS DEPICTED
c. L MIN MEASURED:
CORE FULLY ENGAGED INTO WINDINGS.
d. L MAX MEASURED:
CORE ENGAGED A SINGLE TURN.
4. TINNING :
a. MATERIAL:
RoHS COMPLIANT "SAC" ALLOY

JMC P/N	READINGS: AGILENT/8358-A METER				Q (@ 100 MHz)	SRF (GHz)	TURNS	THD LGTH mm (in)
	L (nH)							
	MIN	NOM	MAX	NO CORE				
JLC02E030TRVPC	32	33	34	39	90	1.2	2	6(.236)
JLC03E048TRVPC	46	49	52	59	95	1.0	3	6(.236)
JLC04E065TRVPC	60	64	68	78	101	0.9	4	6(.236)
JLC05E088TRVPC	74	81	87	99	114	0.9	5	8(.315)
JLC06E110TRVPC	94	107	119	123	119	0.7	6	8(.315)
JLC07E130TRVPC	104	118	133	142	121	0.7	7	10(.394)

LEVEL	DATE	DRN.	CHK.	APP.	ECN
D	8/28/12	BFH	MAI	MAI	001102
C	8/7/12	RJV	-	-	001096

REVISIONS

DRN.	CHK.	APP.	SCALE
RJV	RJV	MAI	NONE
DATE	DATE	DATE	.XX ± .762 .XXX ± .254
8/7/12	8/7/12	8/9/12	



JOHANSON MANUFACTURING CORPORATION

ROCKAWAY VALLEY ROAD, BOONTON, N.J. 07005 (973)334-2676 FAX (973)334-2954
ELECTRONIC ACCURACY THROUGH MECHANICAL PRECISION