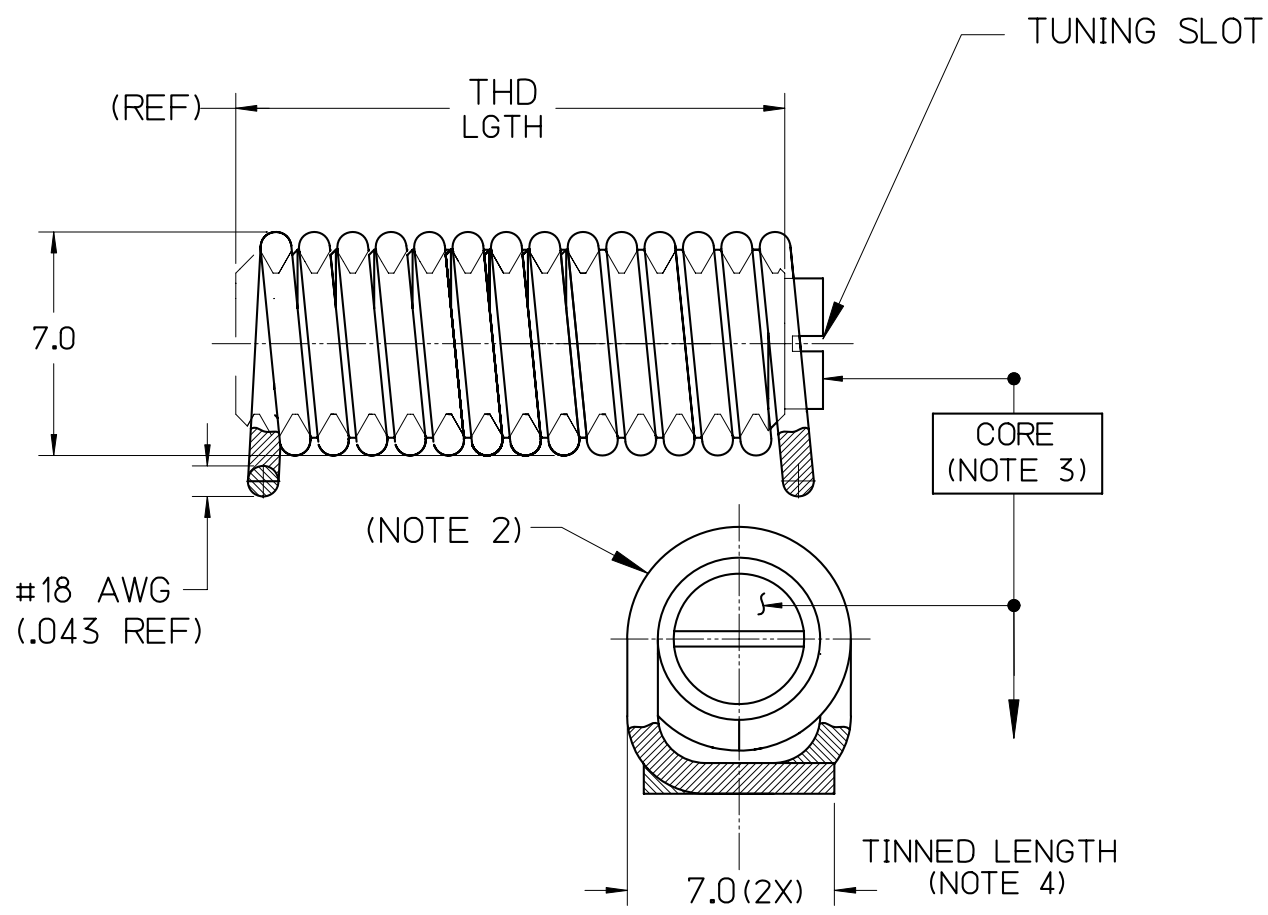


**JLC19E375TRSM**  
**VARIABLE INDUCTOR COIL**  
**(NONMAGNETIC)**  
*U.S. PATENT No. 8,248,198*

FILE: AIROUT



- NOTES:
1. a. DIMENSIONS: mm  
 b. DIMENSIONS: (inches) FOR REFERENCE ONLY
  2. COIL :  
 a. MATERIAL: COPPER ALLOY (COATED)  
 b. COATING ABLE TO WITHSTAND 275°C FOR 100 HOURS AS PER NEMA "CLASS 200". (REF ASTM D2307)
  3. CORE :  
 a. MATERIAL: PTFE / COPPER ALLOY  
 b. SELF-RESONANT FREQUENCY (SRF) IS MEASURED WITH THE CORE) FULLY ENGAGED AS DEPICTED  
 c. L MIN MEASURED WITH CORE ENGAGING FULL WINDINGS. L MAX MEASURED WITH CORE ENGAGING A SINGLE TURN.
  4. TINNING :  
 a. MATERIAL: RoHS COMPLIANT "SAC" ALLOY'

JMC P/N	L (nH)				Q (@ 100 MHz)	SRF (GHz)	TURNS	THD LGTH (mm)
	MIN	NOM	MAX	NO CORE				
JLC19E375TRSM	281	345	436	457	171	3.10	19	25

C	08/28/12	BFH	MAI	MAI	001102
B	09/13/10	GJF	MAI	MAI	000988
A	01/11/10	SAF	-	-	000810
LEVEL	DATE	DRN.	CHK.	APP.	ECN

READINGS TAKEN ON AGILENT/8358-A METER.

REVISIONS				
DRN.	CHK.	APP.	SCALE	
SAF	MAI	MAI	NONE	
DATE	DATE	DATE	.XX ± .762	
01/11/10	12/7/10	12/7/10	.XXX ± .254	



**JOHANSON MANUFACTURING CORPORATION**  
 ROCKAWAY VALLEY ROAD, BOONTON, N.J. 07005 (973)334-2676 FAX (973)334-2954  
 ELECTRONIC ACCURACY THROUGH MECHANICAL PRECISION