

JLC13E250TRSM

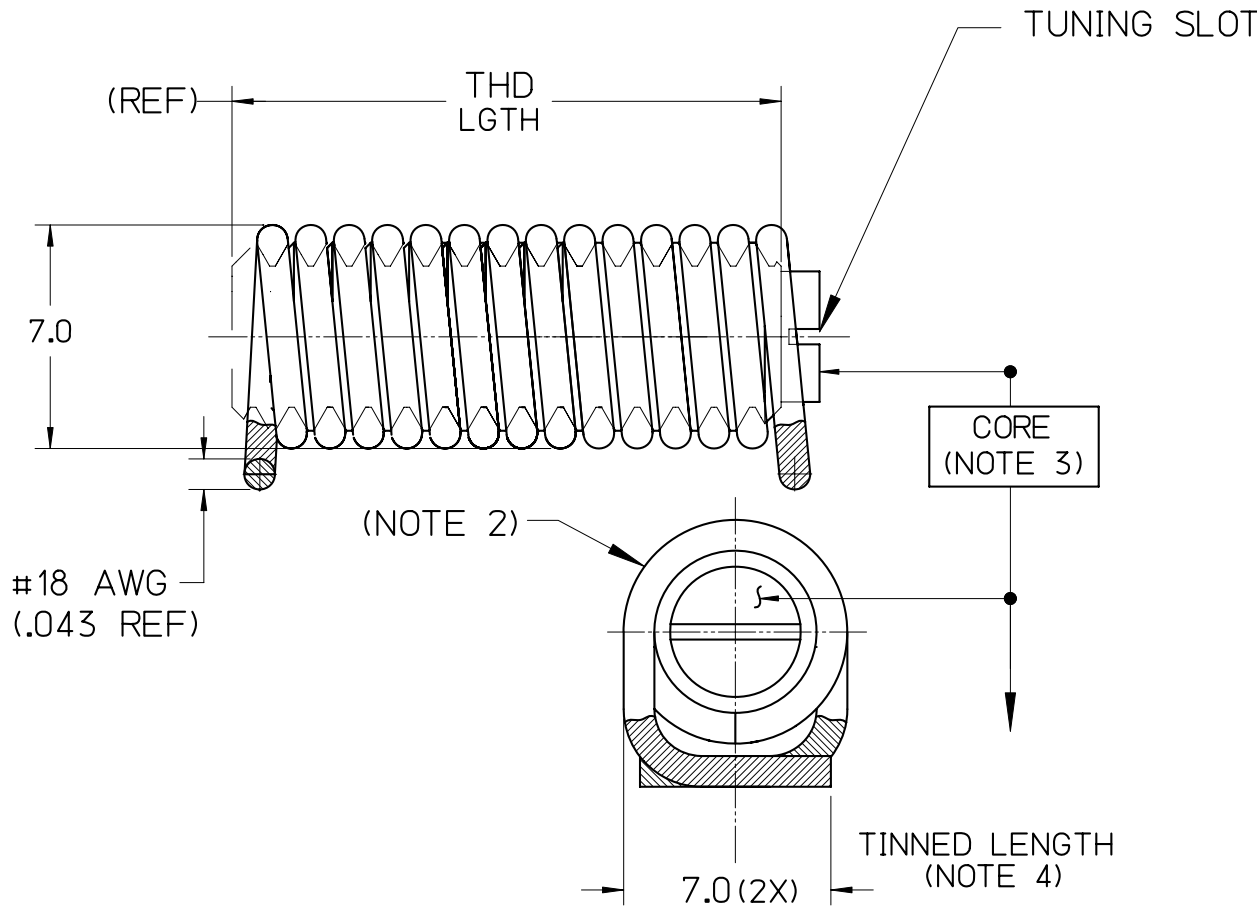
**VARIABLE INDUCTOR COIL
(NONMAGNETIC)**

U.S. PATENT No. 8,248,198

FILE: AIROUT

NOTES:

1. a. DIMENSIONS: mm
b. DIMENSIONS: (inches) FOR REFERENCE ONLY
2. COIL :
a. MATERIAL: COPPER ALLOY (COATED)
b. COATING ABLE TO WITHSTAND 275°C FOR 100 HOURS AS PER NEMA "CLASS 200". (REF ASTM D2307)
3. CORE :
a. MATERIAL: PTFE / COPPER ALLOY
b. SELF-RESONANT FREQUENCY (SRF) IS MEASURED WITH THE CORE) FULLY ENGAGED AS DEPICTED
c. L MIN MEASURED WITH CORE ENGAGING FULL WINDINGS. L MAX MEASURED WITH CORE ENGAGING A SINGLE TURN.
4. TINNING :
a. MATERIAL: RoHS COMPLIANT "SAC" ALLOY'



JMC P/N	L (nH)				Q (@ 100 MHz)	SRF (GHz)	TURNS	THD LGTH (mm)
	MIN	NOM	MAX	NO CORE				
JLC13E250TRSM	185	219	270	294	199	430	13	18

READINGS TAKEN ON AGILENT/8358-A METER.

C	08/28/12	BFH	MAI	MAI	001102
B	09/13/10	GJF	MAI	MAI	000987
A	01/11/10	SAF	-	-	000810
LEVEL	DATE	DRN.	CHK.	APP.	ECN

REVISIONS

DRN.	CHK.	APP.	SCALE
SAF	MAI	MAI	NONE
DATE	DATE	DATE	.XX ± .762
01/11/10	12/7/10	12/7/10	.XXX ± .254



JOHANSON MANUFACTURING CORPORATION
 ROCKAWAY VALLEY ROAD, BOONTON, N.J. 07005 (973)334-2676 FAX (973)334-2954
 ELECTRONIC ACCURACY THROUGH MECHANICAL PRECISION