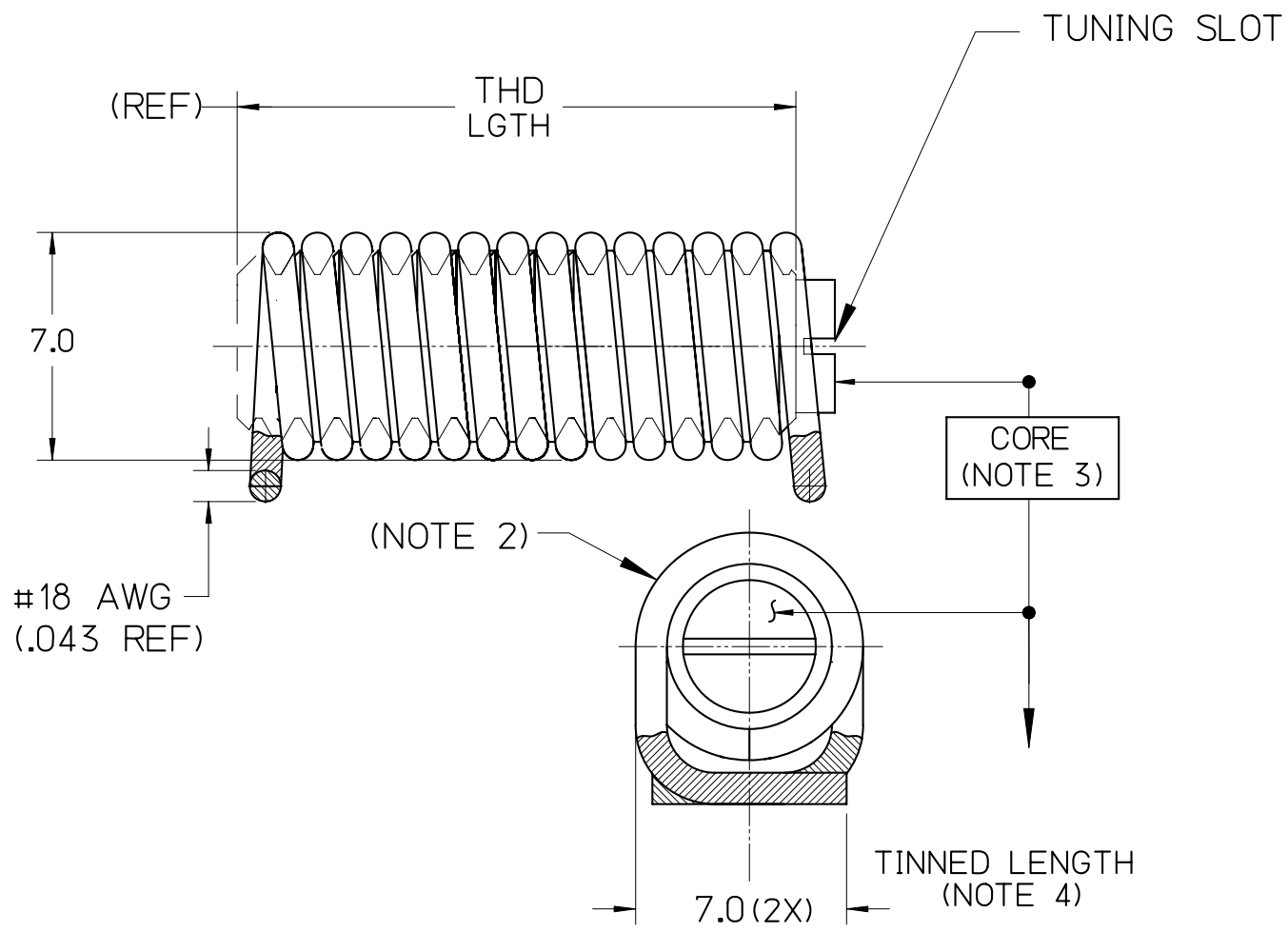


**JLC09E160TRSM**  
**VARIABLE INDUCTOR COIL**  
**(NONMAGNETIC)**  
*U.S. PATENT No. 8,248,198*

FILE: AIROUT



NOTES:

1. a. DIMENSIONS: mm  
 b. DIMENSIONS: (inches) FOR REFERENCE ONLY
2. COIL :  
 a. MATERIAL: COPPER ALLOY (COATED)  
 b. COATING ABLE TO WITHSTAND 275°C FOR 100 HOURS AS PER NEMA "CLASS 200". (REF ASTM D2307)
3. CORE :  
 a. MATERIAL: PTFE / COPPER ALLOY  
 b. SELF-RESONANT FREQUENCY (SRF) IS MEASURED WITH THE CORE) FULLY ENGAGED AS DEPICTED  
 c. L MIN MEASURED WITH CORE ENGAGING FULL WINDINGS. L MAX MEASURED WITH CORE ENGAGING A SINGLE TURN.
4. TINNING :  
 a. MATERIAL: RoHS COMPLIANT "SAC" ALLOY"

JMC P/N	L (nH)				Q (@ 100 MHz)	SRF (GHz)	TURNS	THD LGTH (mm)
	MIN	NOM	MAX	NO CORE				
JLC09E160TRSM	122	139	170	191	162	583	9	13

C	08/28/12	BFH	MAI	MAI	001102
B	09/13/10	GJF	MAI	MAI	000986
A	01/11/10	SAF	-	-	000810
LEVEL	DATE	DRN.	CHK.	APP.	ECN

READINGS TAKEN ON AGILENT/8358-A METER.



**JOHANSON MANUFACTURING CORPORATION**  
 ROCKAWAY VALLEY ROAD, BOONTON, N.J. 07005 (973)334-2676 FAX (973)334-2954  
 ELECTRONIC ACCURACY THROUGH MECHANICAL PRECISION

REVISIONS			
DRN.	CHK.	APP.	SCALE
SAF	MAI	MAI	NONE
DATE	DATE	DATE	
01/11/10	12/7/10	12/7/10	.XX ± .762 .XXX ± .254