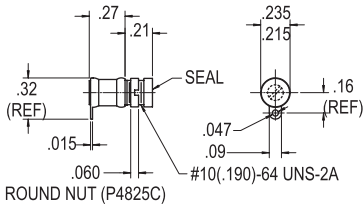
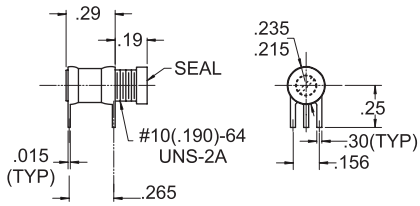
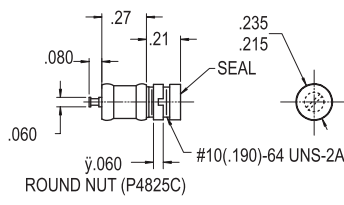
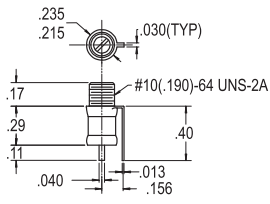
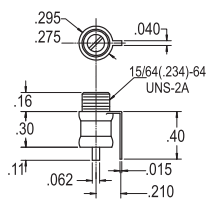
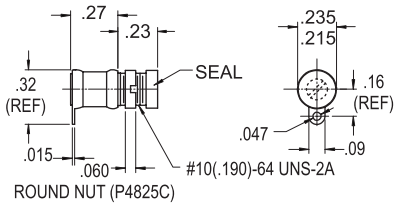
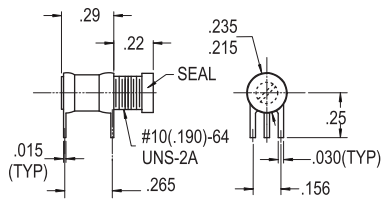
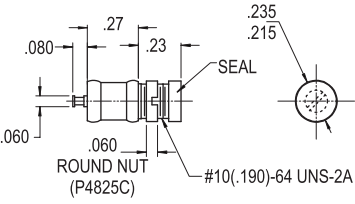
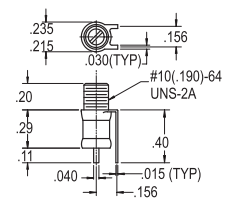


0.6 TO 6 pF

<p>5700</p> <p>Q @ 100 MHz >10000</p>	
<p>5701</p> <p>Q @ 100 MHz >10000</p>	
<p>5702</p> <p>Q @ 100 MHz >10000</p>	
<p>8050</p> <p>Q @ 100 MHz >10000</p>	

0.8 TO 10 pF

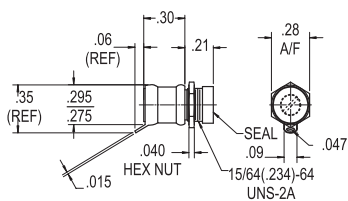
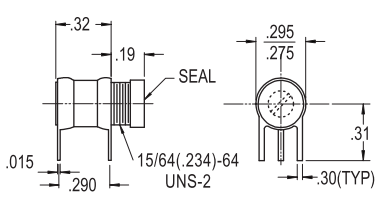
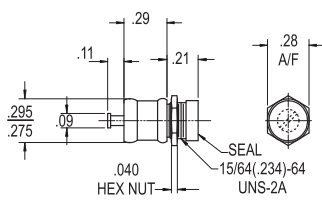
<p>8052</p> <p>Q @ 100 MHz >5000</p>	
<p>5750</p> <p>Q @ 100 MHz >7500</p>	
<p>5751</p> <p>Q @ 100 MHz >7500</p>	
<p>5752</p> <p>Q @ 100 MHz >7500</p>	
<p>5753</p> <p>(0.6 to 5 pF) Q @ 100 MHz >7500</p>	

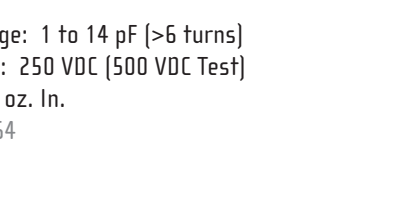
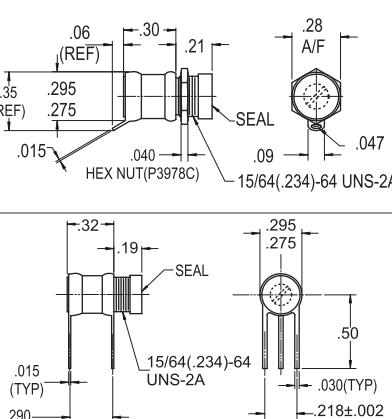
0.8 TO 10 pF

- Capacitance Range: .8 to 10 pF (>6 turns)
- Working Voltage: 250 VDC (500 VDC Test)
- Torque: 1 to 5 oz. In. (52XX) or .4 to 4 oz. In. (575X)
- Tuning Tool: 8764
- RoHS Compliant

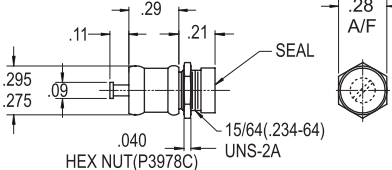
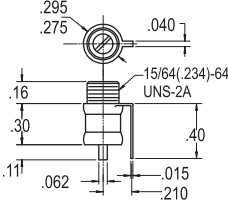
1 TO 14 pF

- Capacitance Range: 1 to 14 pF (>6 turns)
- Working Voltage: 250 VDC (500 VDC Test)
- Torque: 1 to 5.0 oz. In.
- Tuning Tool: 8764
- RoHS Compliant

<p>5200</p> <p>Q @ 100 MHz >5000</p>	
<p>5201</p> <p>Q @ 100 MHz >5000</p>	
<p>5202</p> <p>Q @ 100 MHz >5000</p>	

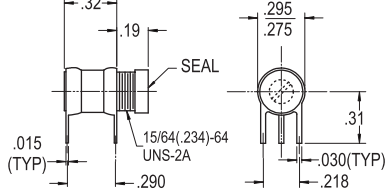
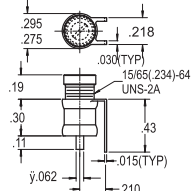
<p>5400</p> <p>Q @ 100 MHz >3000</p>	
<p>5401</p> <p>Q @ 100 MHz >3000</p>	

1 TO 14 pF

<p>5402</p> <p>Q @ 100 MHz >3000</p>	
<p>8053</p> <p>(1.5 to 14 pF)</p> <p>Q @ 100 MHz >1500</p>	

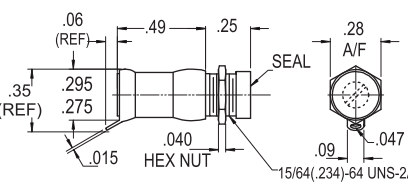
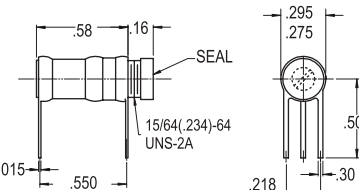
1 TO 16 pF

- Capacitance Range: 1 to 16 pF (>6 turns)
- Working Voltage: 250 VDC (500 VDC Test)
- Torque: 1 to 5 oz. In.
- Tuning Tool: 8764
- RoHS Compliant

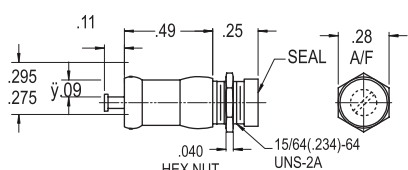
<p>5451</p> <p>Q @ 100 MHz >3000</p>	
<p>5453</p> <p>Q @ 100 MHz >3000</p>	

1 TO 20 pF

- Capacitance Range: 1 to 20 pF (>12 turns)
- Working Voltage: 250 VDC (500 VDC Test)
- Torque: 1 to 5 oz. In.
- Tuning Tool: 8764
- RoHS Compliant

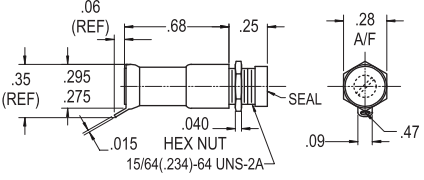
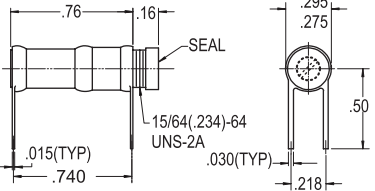
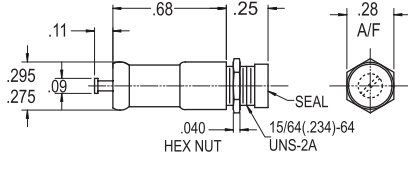
<p>5500</p> <p>Q @ 100 MHz >1500</p>	
<p>5501</p> <p>Q @ 100 MHz >1500</p>	

1 TO 20 pF

<p>5502</p> <p>Q @ 100 MHz >1500</p>	
--	---

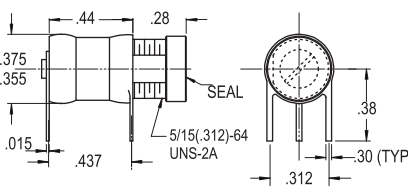
1 TO 30 pF

- Capacitance Range: 1.0 to 10.0 pF (>20 turns)
- Working Voltage: 250 VDC (500 VDC Test)
- Torque: 1 to 5.0 oz. In.
- Tuning Tool: 8764
- RoHS Compliant

<p>5600</p> <p>Q @ 100 MHz >800</p>	
<p>5601</p> <p>Q @ 100 MHz >800</p>	
<p>5602</p> <p>Q @ 100 MHz >800</p>	

1 TO 10 pF (500 VDC)

- Capacitance Range: 1.0 to 10.0 pF (>10 turns)
- Working Voltage: 500 VDC (1000 VDC Test)
- Torque: 1 to 5.0 oz. In.
- Tuning Tool: 8764
- RoHS Compliant

<p>5301</p> <p>Q @ 100 MHz >2000</p>	
<p>5302</p> <p>Q @ 100 MHz >2000</p>	