

TL300BB21B

HIGH POWER BeO TERMINATION (B300B-T21)

SPECIFICATIONS

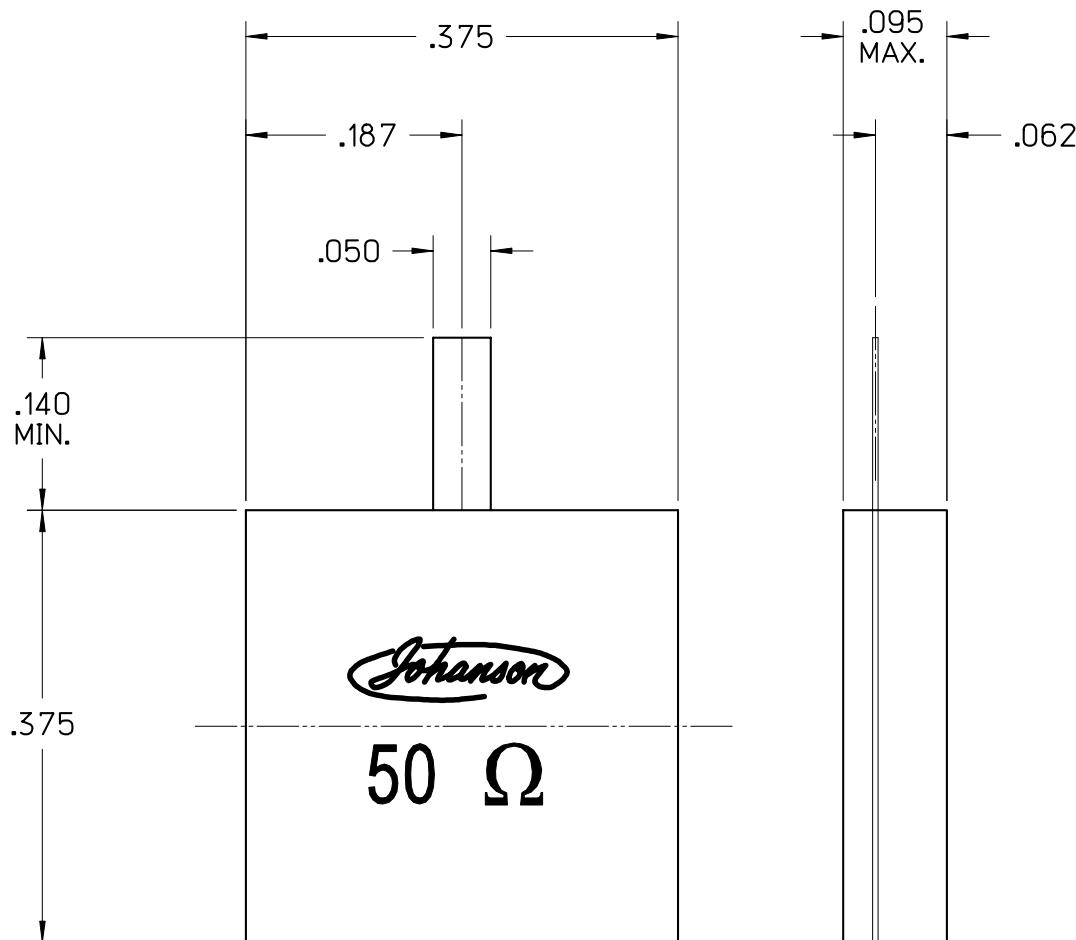
FILE: TERMOUT

POWER MAX
(WATTS):

300 CW

RESISTANCE

50 OHMS (±5%)



CAUTION

THIS SUBSTRATE USES BERYLLIUM OXIDE
USE CARE WHEN HANDLING.
DO NOT SCRATCH OR ABRASIVE
TRIM IN OPEN AREA.

B	10/18/06	MLD	MAI	MAI	000457
A	06/05/06	MLD	-	-	000409
LEVEL	DATE	DRN.	CHK.	APP.	ECN

REVISIONS

DRN.	MLD	CHK.	MAI	APP.	MAI	SCALE
DATE	DATE	DATE	DATE	DATE	DATE	.XX ± .015 .XXX ± .010
06/05/06	07/14/06	07/14/06	07/14/06	07/14/06	07/14/06	



JOHANSON MANUFACTURING CORPORATION
ROCKAWAY VALLEY ROAD, BOONTON, N.J. 07005 (973)334-2676 FAX (973)334-2954
ELECTRONIC ACCURACY THROUGH MECHANICAL PRECISION