

TF800BA14A

HIGH POWER BeO TERMINATION

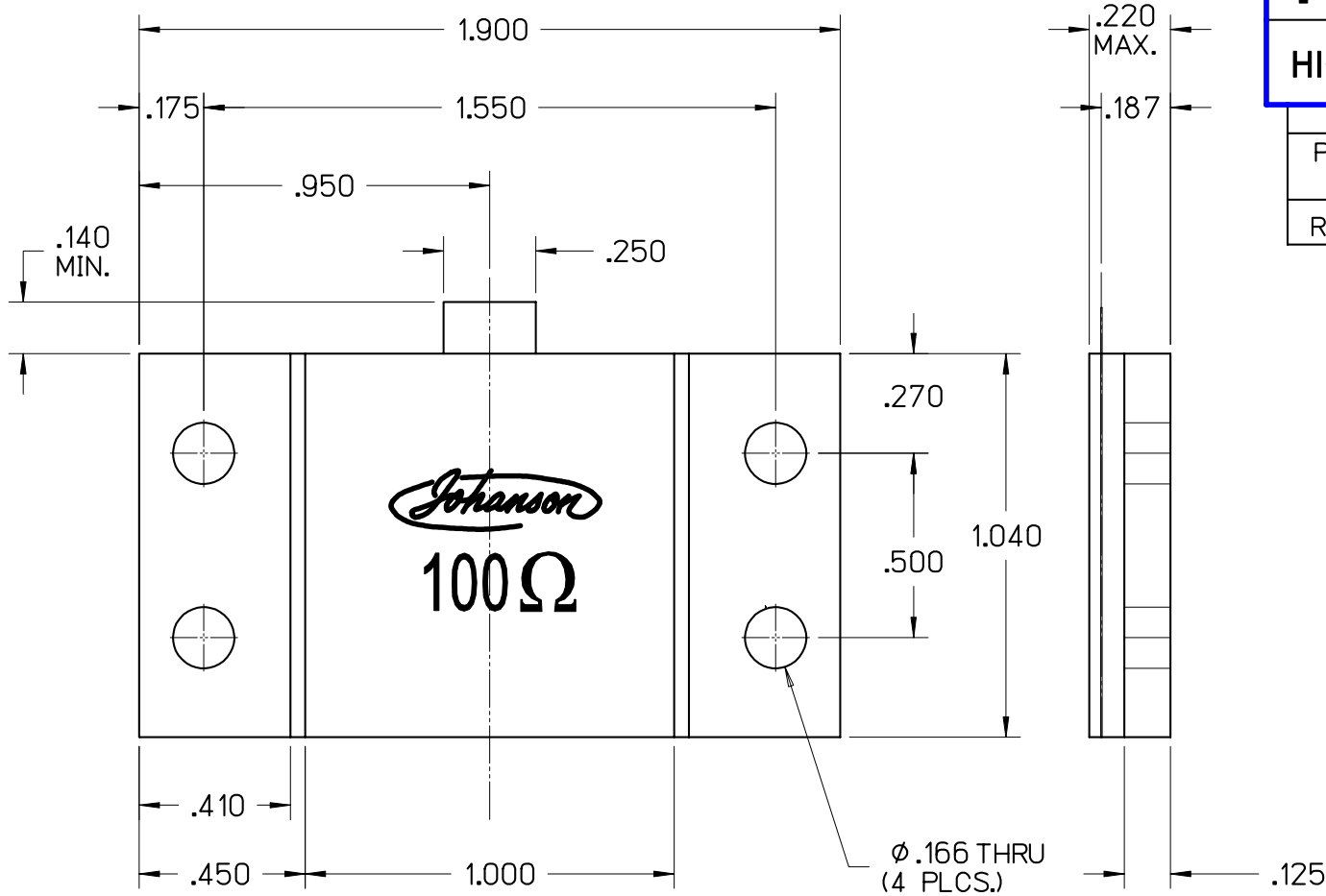
SPECIFICATIONS

FILE: TERMOUT

POWER MAX (WATTS):	800 CW
RESISTANCE	100 OHMS (±5%)

CAUTION

THIS SUBSTRATE USES BERYLLIUM OXIDE
USE CARE WHEN HANDLING.
DO NOT SCRATCH OR ABRASIVE
TRIM IN OPEN AREA.



A	09/09/08	MLD	-	-	000706
LEVEL	DATE	DRN.	CHK.	APP.	ECN

REVISIONS

DRN.	CHK.	APP.	SCALE
MLD	MAI	MAI	2" = 1"
DATE	DATE	DATE	.XX ± .015
09/09/08	09/09/08	09/09/08	.XXX ± .010



JOHANSON MANUFACTURING CORPORATION
ROCKAWAY VALLEY ROAD, BOONTON, N.J. 07005 (973)334-2676 FAX (973)334-2954
ELECTRONIC ACCURACY THROUGH MECHANICAL PRECISION