

MI DRG. NO.

TF800BA14-061A

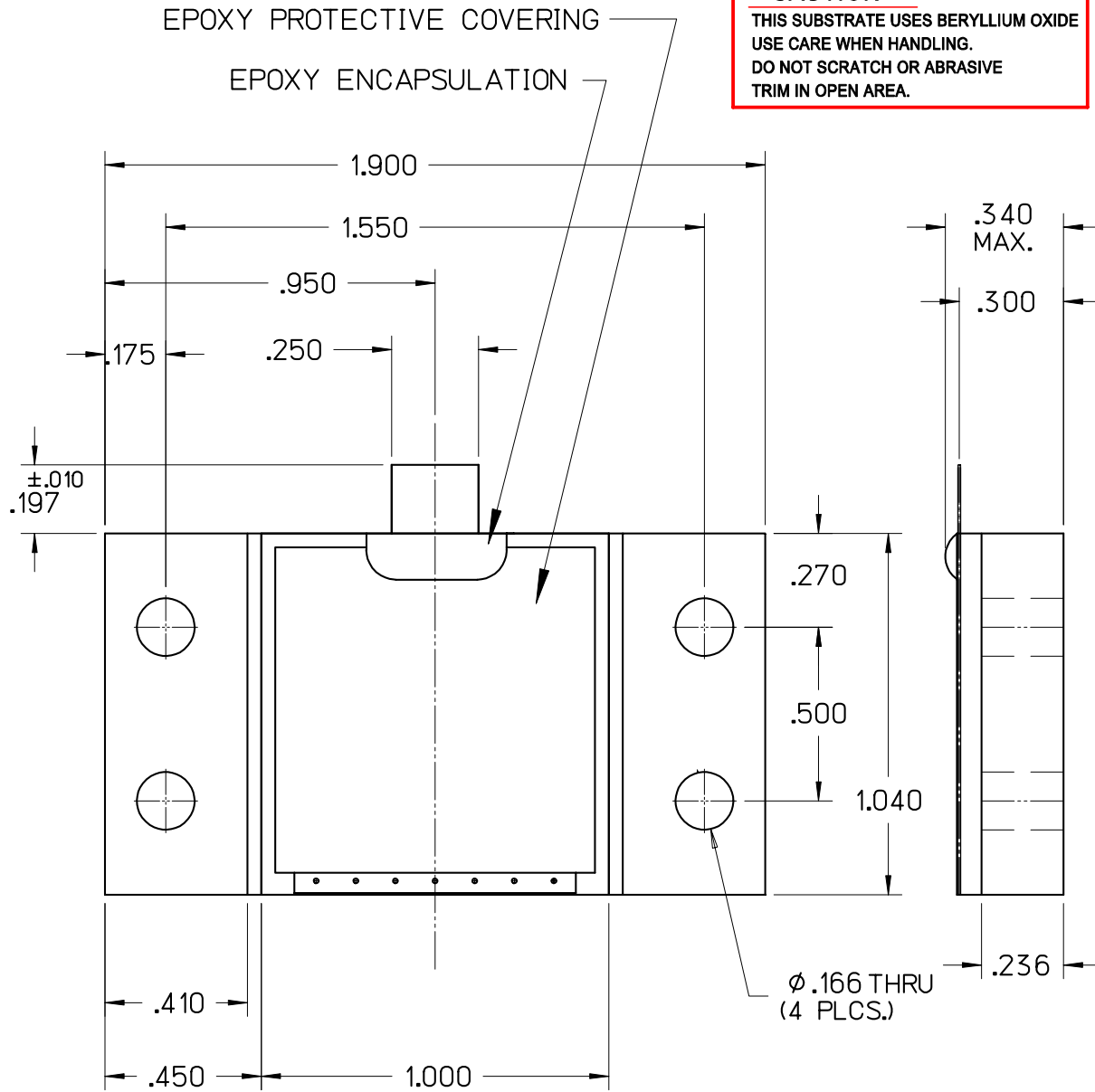
REV.

**TF800BA14-061 A**

**HIGH POWER BeO TERMINATION**

**CAUTION**

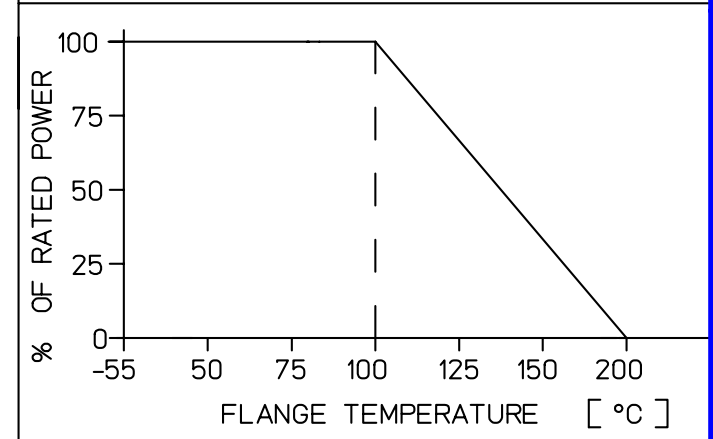
THIS SUBSTRATE USES BERYLLIUM OXIDE  
USE CARE WHEN HANDLING.  
DO NOT SCRATCH OR ABRASIVE  
TRIM IN OPEN AREA.



SPECIFICATIONS | FILE: TERMOUT

POWER MAX (WATTS):	800 CW
RESISTANCE	100 OHMS (±5%)

**POWER DERATING**



A	01/29/09	MAI	-	-	000747
LEVEL	DATE	DRN.	CHK.	APP.	ECN

REVISIONS

DRN.	CHK.	APP.	SCALE
MAI	MAI	MAI	2" = 1"
DATE	DATE	DATE	.XX ± .015
01/29/09	01/29/09	01/29/09	.XXX ± .010



**JOHANSON MANUFACTURING CORPORATION**

ROCKAWAY VALLEY ROAD, BOONTON, N.J. 07005 (973)334-2676 FAX (973)334-2954  
ELECTRONIC ACCURACY THROUGH MECHANICAL PRECISION

PROPRIETARY INFORMATION CONTAINED NOT TO BE USED WITHOUT JOHANSON MANUFACTURING CORPORATION APPROVAL