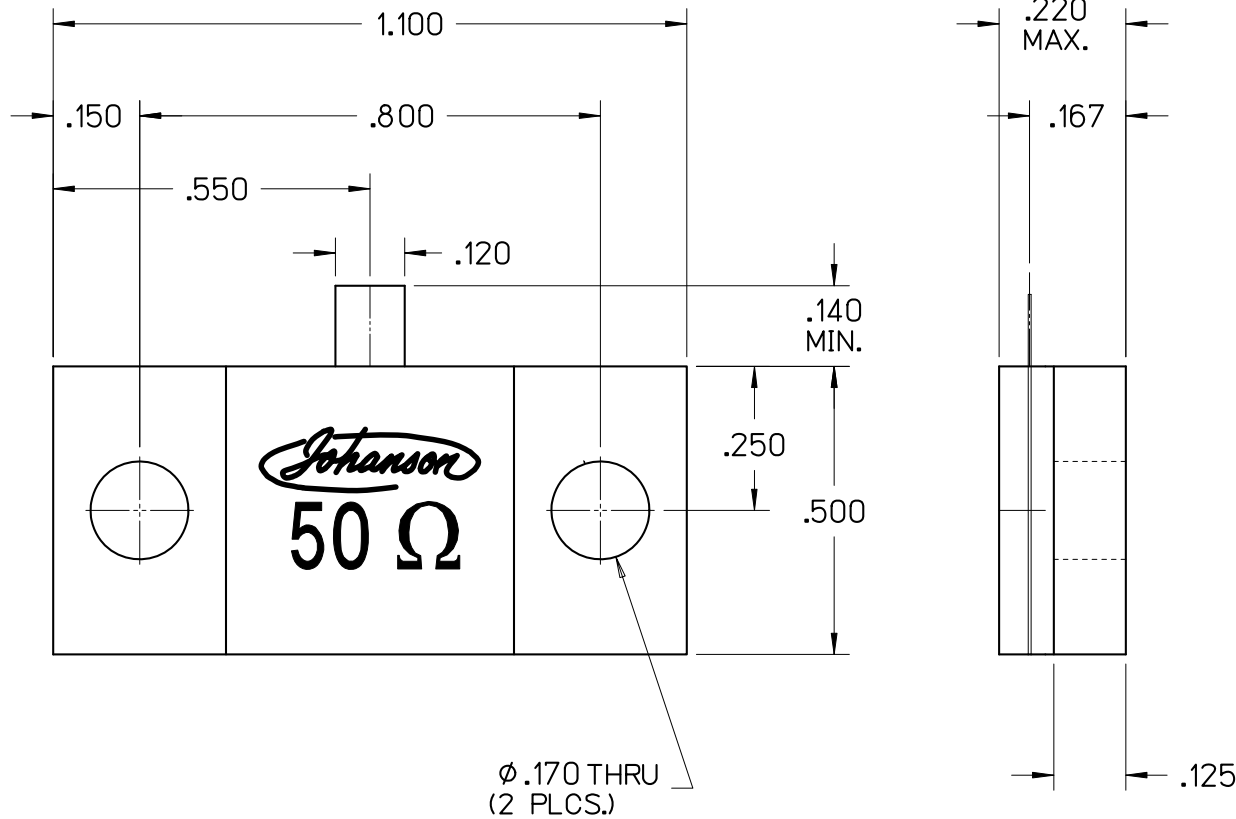


# TF500BB13

# D

## HIGH POWER BeO TERMINATION

SPECIFICATIONS		FILE: TERMOUT
POWER MAX (WATTS):	500 CW	
RESISTANCE	50 OHMS (±5%)	
FREQUENCY	DC - 1.25GHz	
VSWR	1.3 : 1	



**CAUTION**

THIS SUBSTRATE USES BERYLLIUM OXIDE  
 USE CARE WHEN HANDLING.  
 DO NOT SCRATCH OR ABRASIVE  
 TRIM IN OPEN AREA.

D	10/13/11	FK	MAI	MAI	001004
C	01/19/09	MAI	MAI	MAI	000747
B	02/08/08	MLD	MAI	MAI	000644
A	02/01/07	MLD	-	-	000499
LEVEL	DATE	DRN.	CHK.	APP.	ECN

REVISIONS

DRN.	CHK.	APP.	SCALE
MLD	MAI	MAI	3" = 1"
DATE	DATE	DATE	.XX ± .015
02/01/07	02/01/07	02/01/07	.XXX ± .010



**JOHANSON MANUFACTURING CORPORATION**  
 ROCKAWAY VALLEY ROAD, BOONTON, N.J. 07005 (973)334-2676 FAX (973)334-2954  
 ELECTRONIC ACCURACY THROUGH MECHANICAL PRECISION