

MI DRG. NO.

TF400BB13-010A

REV.

TF400BB13-010 A**HIGH POWER BeO TERMINATION**

SPECIFICATIONS

FILE: TERMOUT

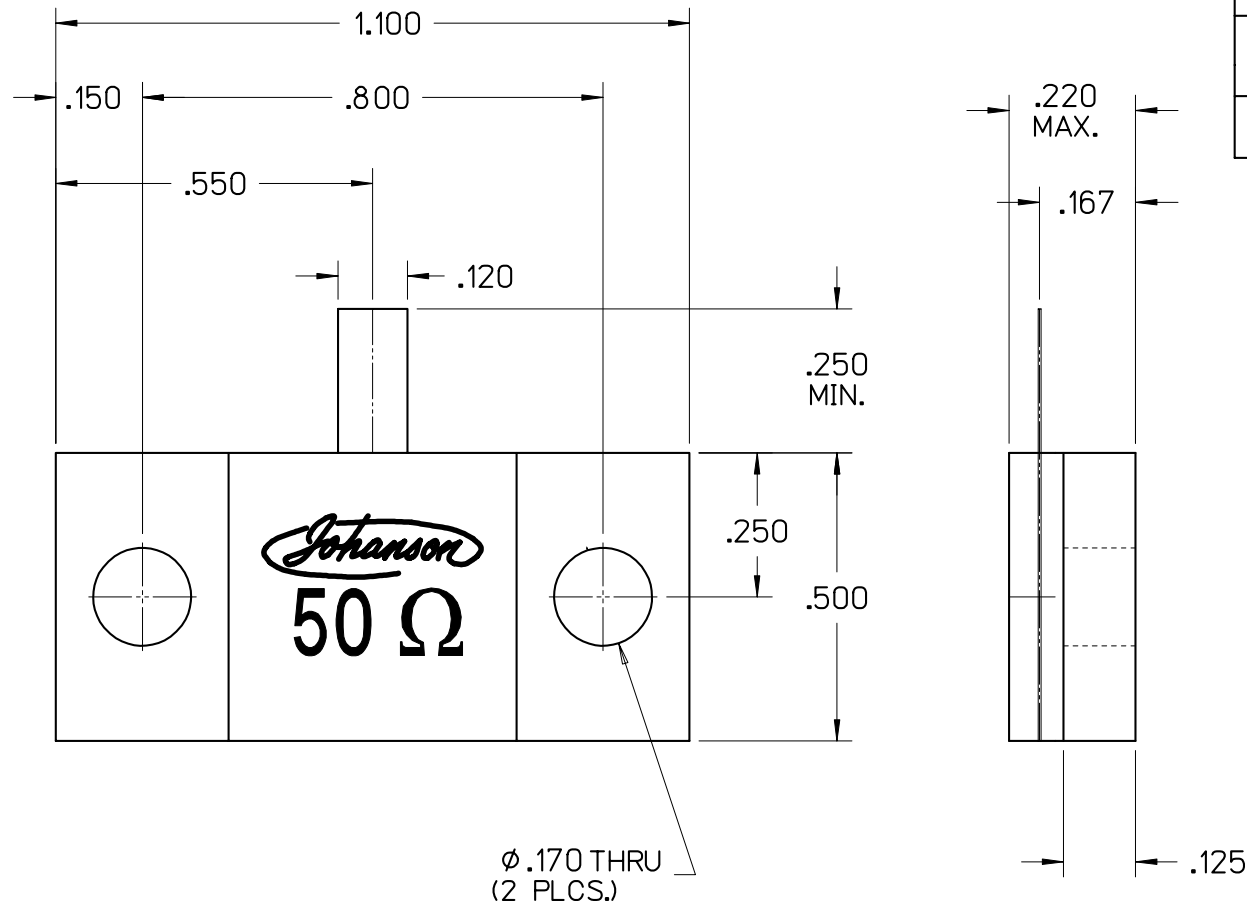
POWER MAX
(WATTS):

400 CW

RESISTANCE

50 OHMS ($\pm 5\%$)**CAUTION**

THIS SUBSTRATE USES BERYLLIUM OXIDE
USE CARE WHEN HANDLING.
DO NOT SCRATCH OR ABRASIVE
TRIM IN OPEN AREA.



A	03/25/09	MAI	-	-	000756
LEVEL	DATE	DRN.	CHK.	APP.	ECN

REVISIONS

DRN.	CHK.	APP.	SCALE
MAI	MAI	MAI	3" = 1"
DATE	DATE	DATE	.XX \pm .015
03/25/09	03/26/09	03/26/09	.XXX \pm .010



JOHANSON MANUFACTURING CORPORATION
ROCKAWAY VALLEY ROAD, BOONTON, N.J. 07005 (973)334-2676 FAX (973)334-2954
ELECTRONIC ACCURACY THROUGH MECHANICAL PRECISION

PROPRIETARY INFORMATION CONTAINED NOT TO BE USED WITHOUT JOHANSON MANUFACTURING CORPORATION APPROVAL