

MI DRG. NO.

TF400AB15B

REV.

TF400AB15 B**HIGH POWER AIR TERMINATION**

SPECIFICATIONS

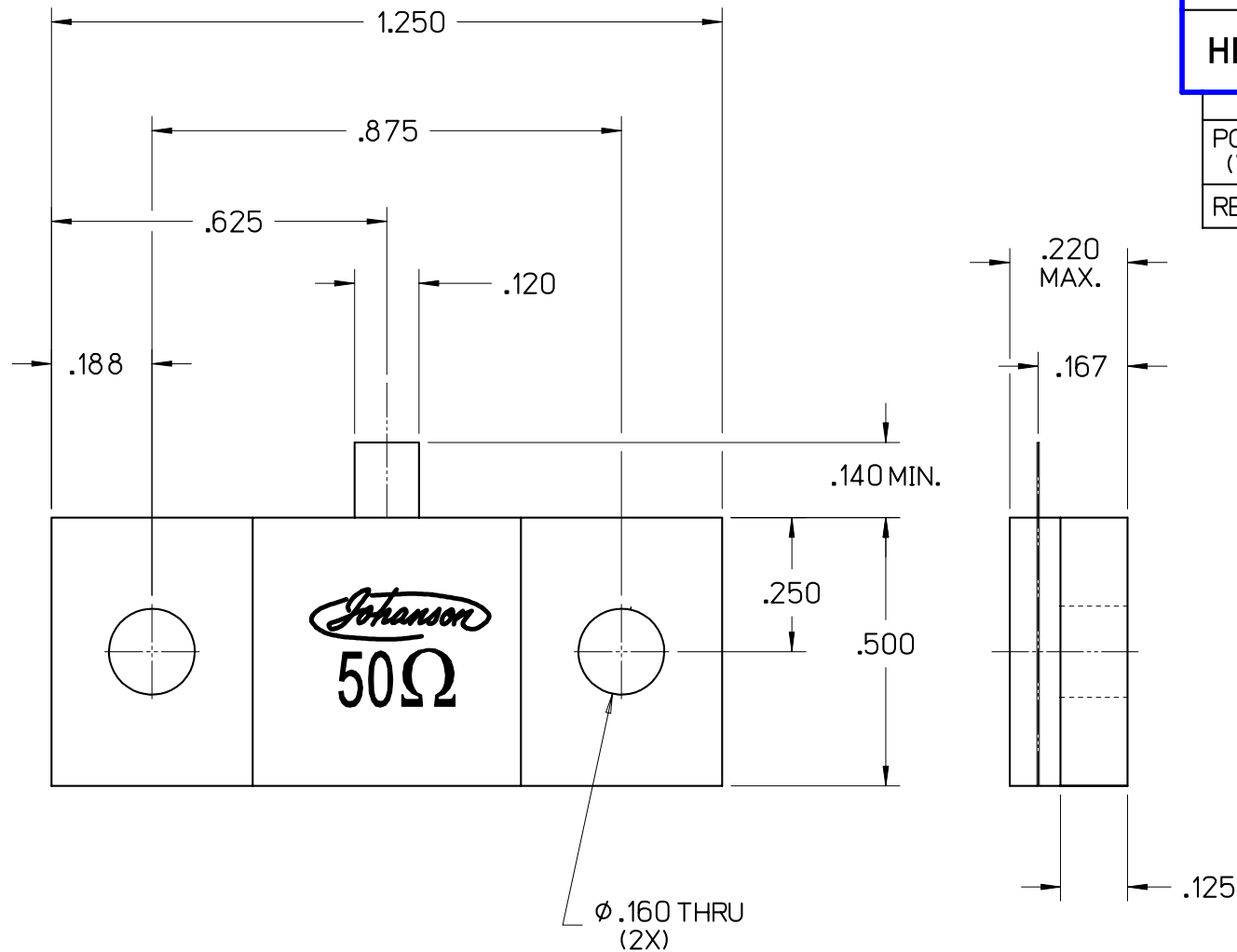
FILE: TERMOUT

POWER MAX
(WATTS):

400 CW

RESISTANCE

50 OHMS (±5%)



B	02/08/08	MLD	MAI	MAI	000644
A	07/16/07	SAF	-	-	000574
LEVEL	DATE	DRN.	CHK.	APP.	ECN

REVISIONS

DRN. SAF	CHK. MAI	APP. MAI	SCALE 3" = 1"
DATE 07/16/07	DATE 08/06/07	DATE 08/06/07	.XX ± .015 .XXX ± .010

**JOHANSON MANUFACTURING CORPORATION**

ROCKAWAY VALLEY ROAD, BOONTON, N.J. 07005 (973)334-2676 FAX (973)334-2954
ELECTRONIC ACCURACY THROUGH MECHANICAL PRECISION

PROPRIETARY INFORMATION CONTAINED NOT TO BE USED WITHOUT JOHANSON MANUFACTURING CORPORATION APPROVAL