

TF100BB08-100

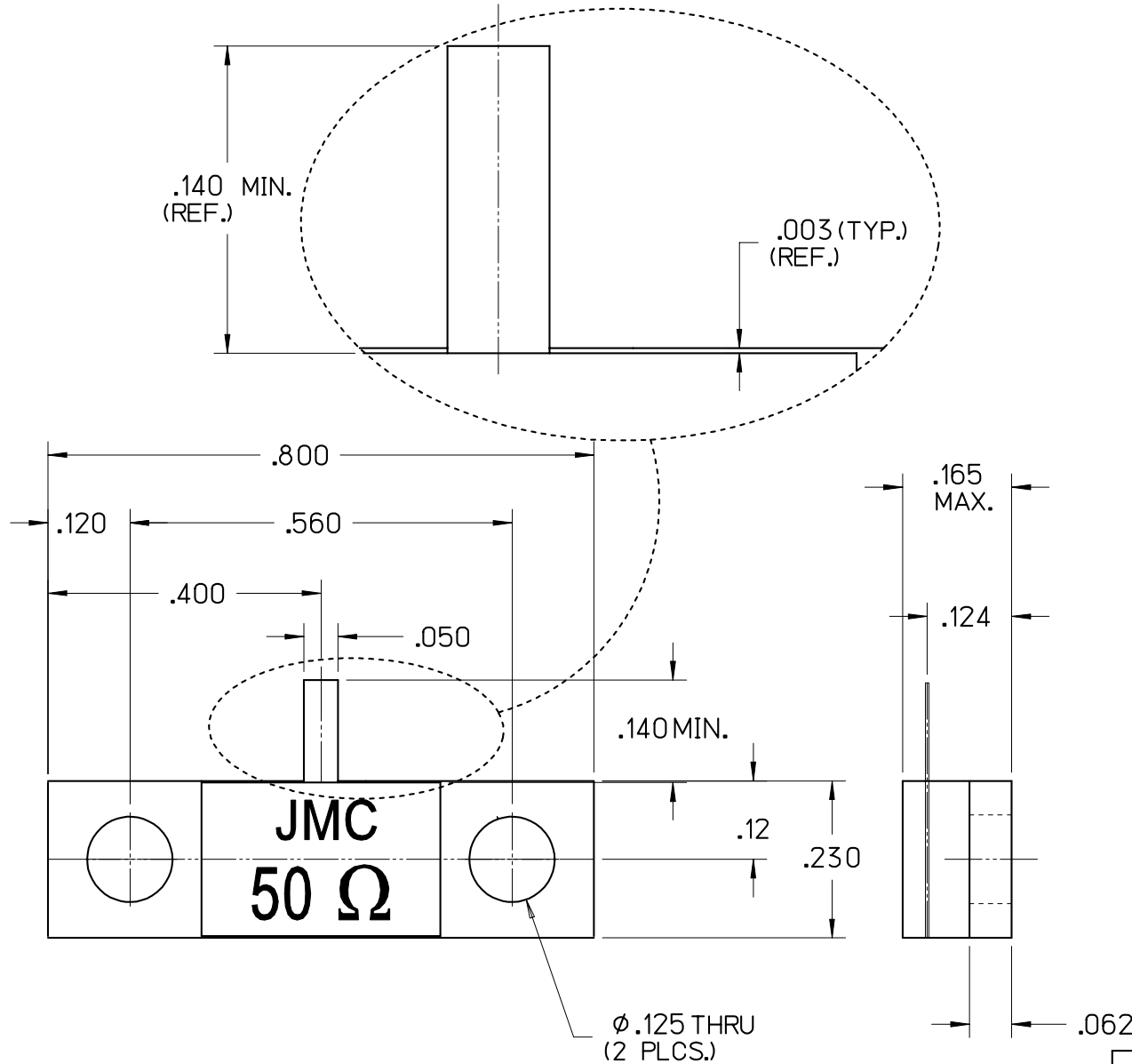
B

HIGH POWER BeO TERMINATION

SPECIFICATIONS	FILE: TERMOUT
POWER MAX (WATTS):	100 CW
RESISTANCE	50 OHMS ±5%

CAUTION

THIS SUBSTRATE USES BERYLLIUM OXIDE
USE CARE WHEN HANDLING.
DO NOT SCRATCH OR ABRASIVE
TRIM IN OPEN AREA.



LEVEL	DATE	DRN.	CHK.	APP.	ECN
B	10/30/07	MLD	MAI	MAI	000607
A	03/01/07	MLD	-	-	000512

REVISIONS

DRN.	CHK.	APP.	SCALE
MLD	MAI	MAI	6" = 1"
DATE	DATE	DATE	.XX ± .015 .XXX ± .010
03/01/07	03/15/07	03/15/07	



JOHANSON MANUFACTURING CORPORATION
ROCKAWAY VALLEY ROAD, BOONTON, N.J. 07005 (973)334-2676 FAX (973)334-2954
ELECTRONIC ACCURACY THROUGH MECHANICAL PRECISION