

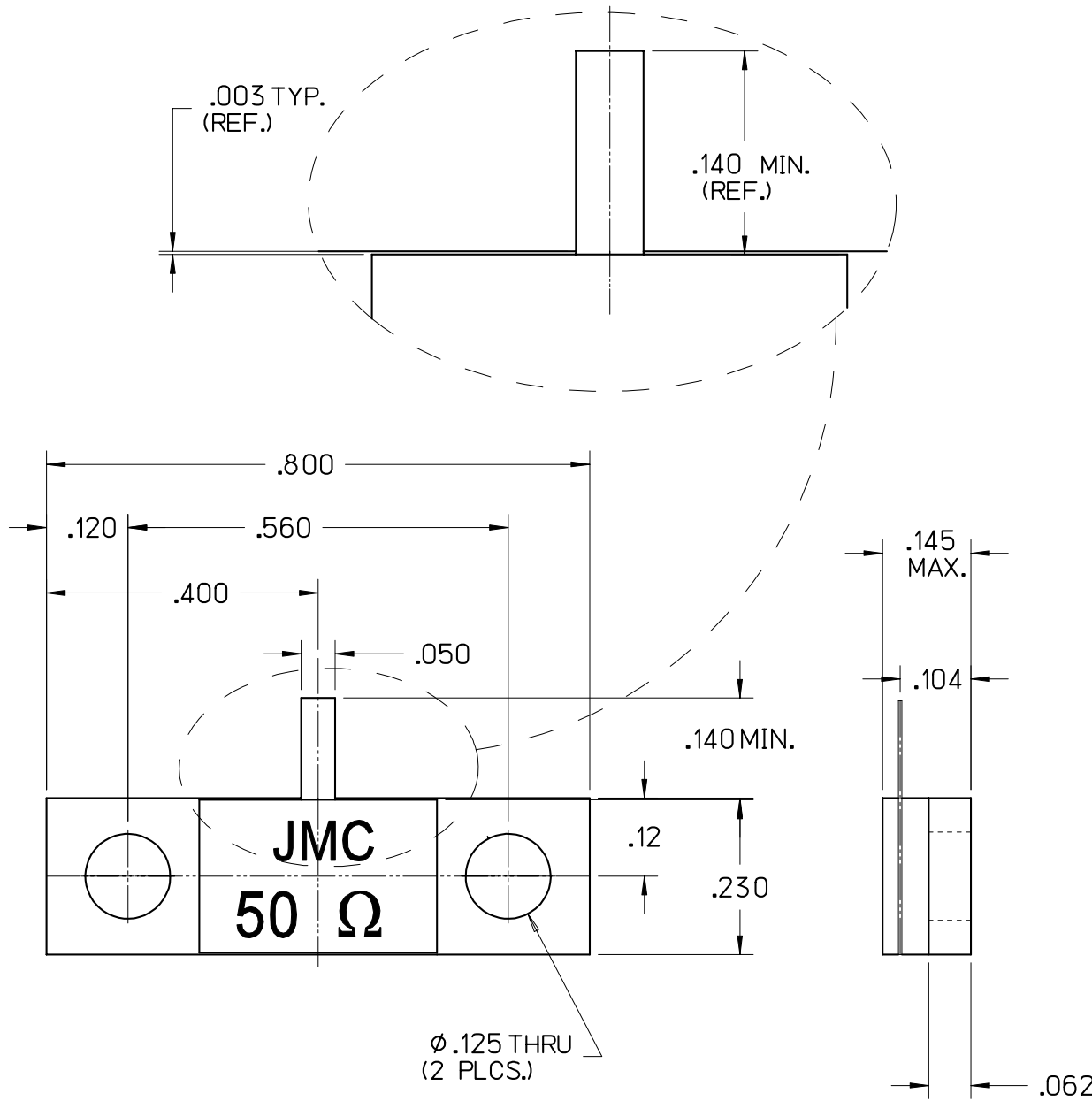
# TF040BB04-100 B

## HIGH POWER BeO TERMINATION

SPECIFICATIONS	FILE: TERMOUT
POWER MAX (WATTS):	40 CW
RESISTANCE	50 OHMS (±5%)

### CAUTION

THIS SUBSTRATE USES BERYLLIUM OXIDE  
 USE CARE WHEN HANDLING.  
 DO NOT SCRATCH OR ABRASIVE  
 TRIM IN OPEN AREA.



B	10/30/07	MLD	MAI	MAI	000607
A	03/01/07	MLD	-	-	000512
LEVEL	DATE	DRN.	CHK.	APP.	ECN
REVISIONS					
DRN.	MLD	CHK.	MAI	APP.	MAI
DATE	03/01/07	DATE	03/19/07	DATE	03/19/07
				SCALE	.XX ± .015
					.XXX ± .010



**JOHANSON MANUFACTURING CORPORATION**  
 ROCKAWAY VALLEY ROAD, BOONTON, N.J. 07005 (973)334-2676 FAX (973)334-2954  
 ELECTRONIC ACCURACY THROUGH MECHANICAL PRECISION