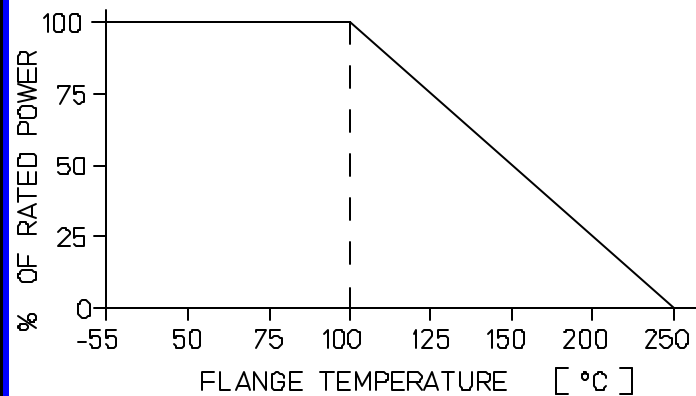


POWER DERATING

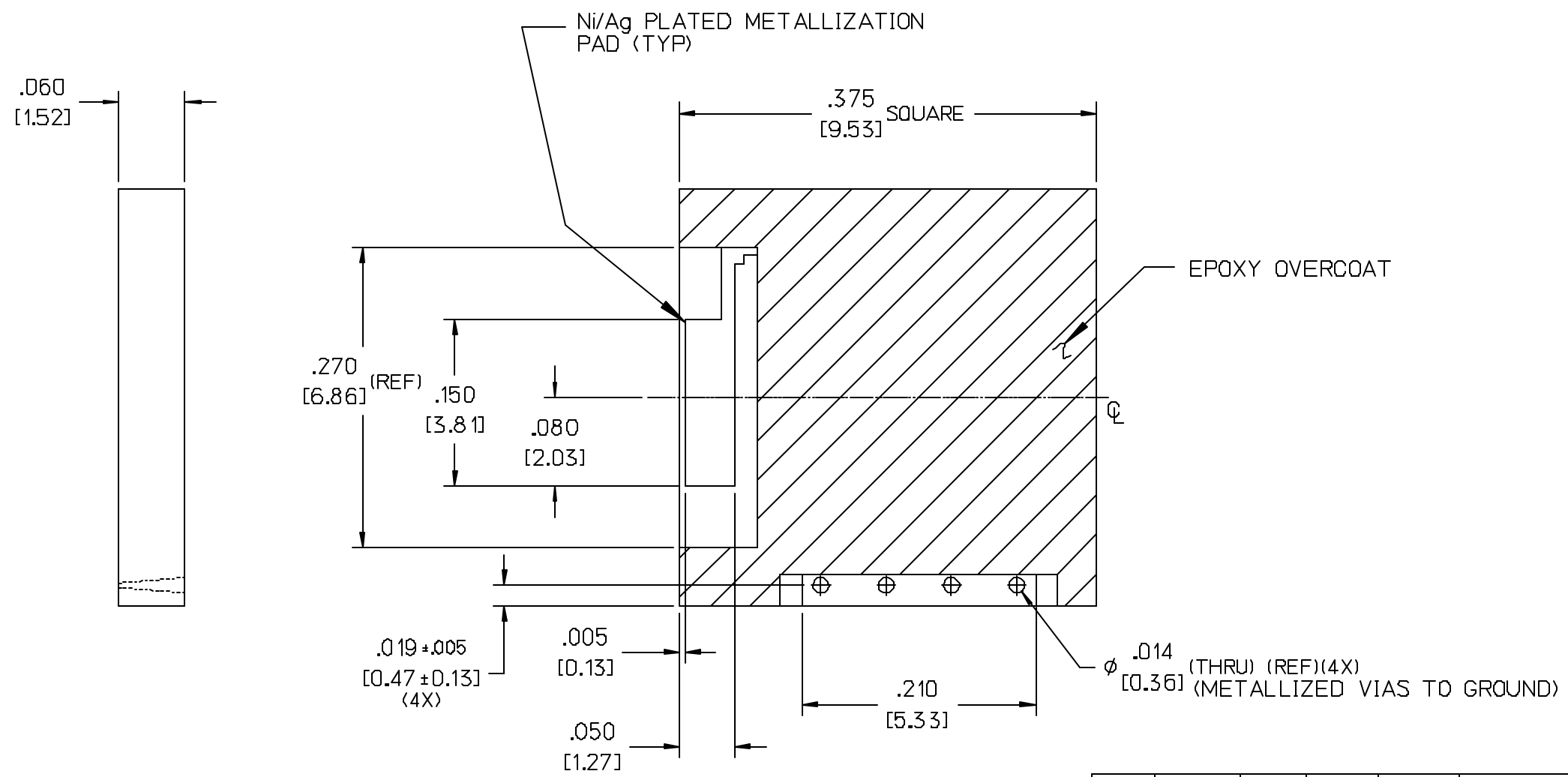
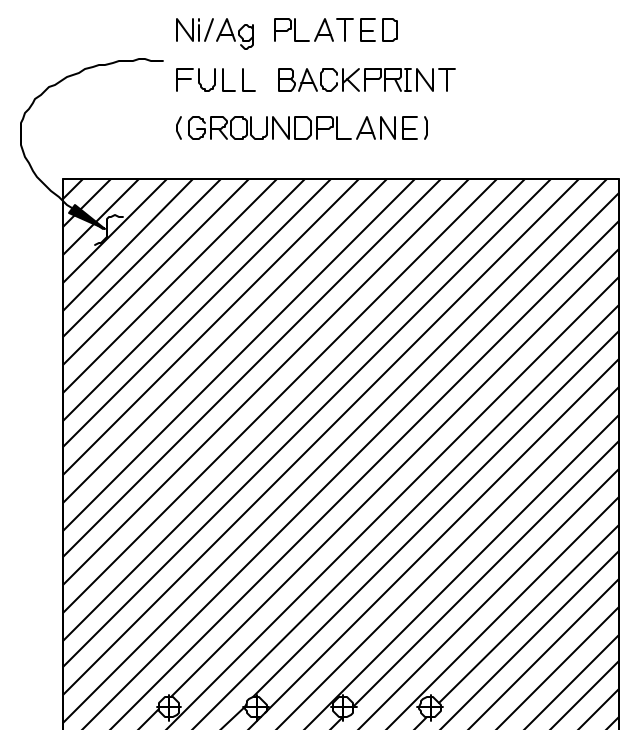


CHIP MUST HAVE 50W CAPACITY WHILE FLANGE IS AT 180°C

MI DRG.NO. CT3737AB5C-05A REV. **CT3737AB5C-05 A**

CHIP TERMINATION, HIGH POWER ALN
(.375 X .375 X .060 THK)

SPECIFICATIONS		FILE	TERMOUT
POWER MAX (WATTS)	250 CW		
RESISTANCE	50 OHMS (±5%)		
FREQUENCY	VSWR		
DC - 2000 MHz	1.05	1	
DIMENSIONS IN BRACKETS IN [mm]			



Johanson **JOHANSON MANUFACTURING CORPORATION**
 ROCKAWAY VALLEY ROAD, BOONTON, N.J. 07005 (973)334-2676 FAX (973)334-2954
 ELECTRONIC ACCURACY THROUGH MECHANICAL PRECISION

PROPRIETARY INFORMATION CONTAINED NOT TO BE USED WITHOUT JOHANSON MANUFACTURING CORPORATION APPROVAL

LEVEL	DATE	DRN.	CHK.	APP.	ECN
A	05/18/09	SDJ	-	-	000765
REVISIONS					
DRN.	SDJ	CHK.	SDJ	APP.	MAI
SCALE	8" = 1"				
DATE	05/18/09	DATE	05/20/09	DATE	05/20/09
					.XX ± .015 [381]
					.XXX ± .010 [254]