

MI DRG. NO.

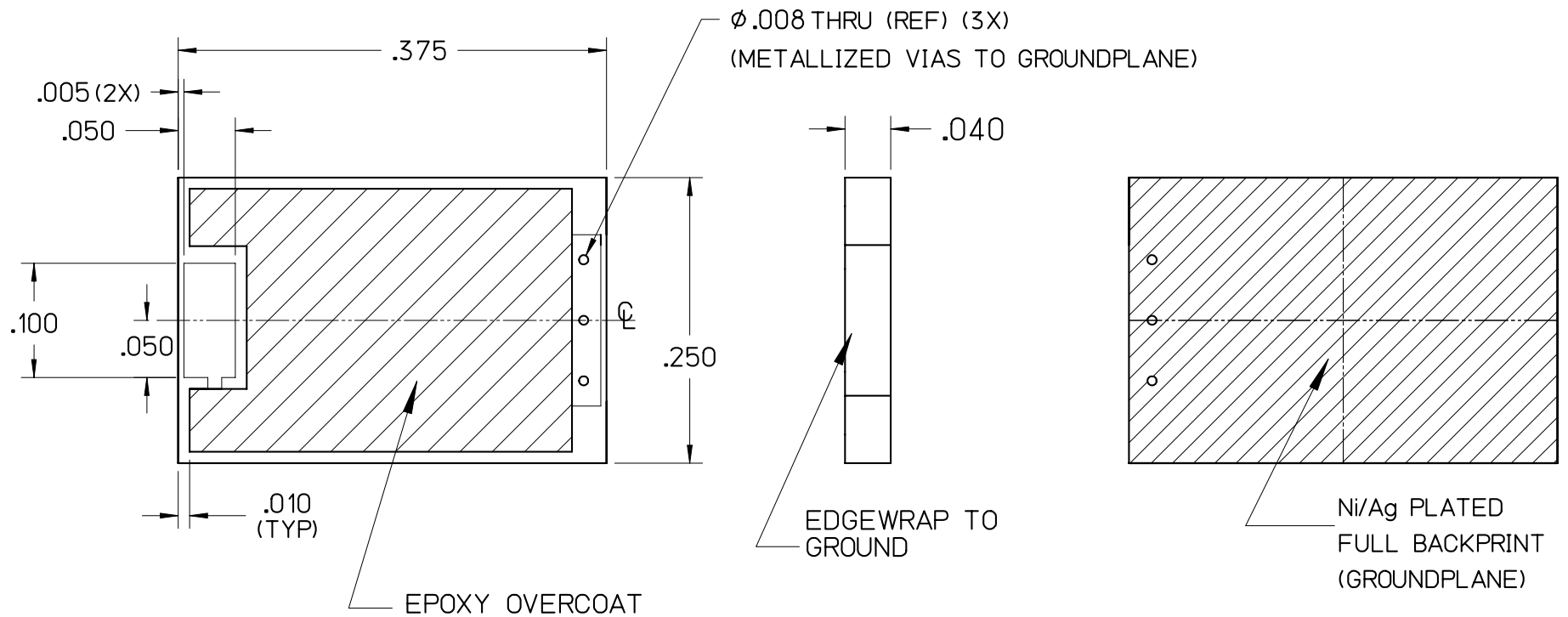
CT3725AB5CB

REV.

CT3725AB5C B

CHIP TERMINATION, HIGH POWER ALN

SPECIFICATIONS		FILE: TERMOUT
POWER MAX (WATTS):	150 CW	
RESISTANCE	50 OHMS (±5%)	



B	01/24/09	MAI	MAI	MAI	000746
A	10/10/07	SAF	-	-	000603
LEVEL	DATE	DRN.	CHK.	APP.	ECN

REVISIONS

DRN.	CHK.	APP.	SCALE
SAF	MAI	MAI	7" = 1"
DATE	DATE	DATE	.XX ± .015
10/10/07	10/16/07	10/16/07	.XXX ± .005



JOHANSON MANUFACTURING CORPORATION
 ROCKAWAY VALLEY ROAD, BOONTON, N.J. 07005 (973)334-2676 FAX (973)334-2954
 ELECTRONIC ACCURACY THROUGH MECHANICAL PRECISION

PROPRIETARY INFORMATION CONTAINED NOT TO BE USED WITHOUT JOHANSON MANUFACTURING CORPORATION APPROVAL