

MI DRG. NO.

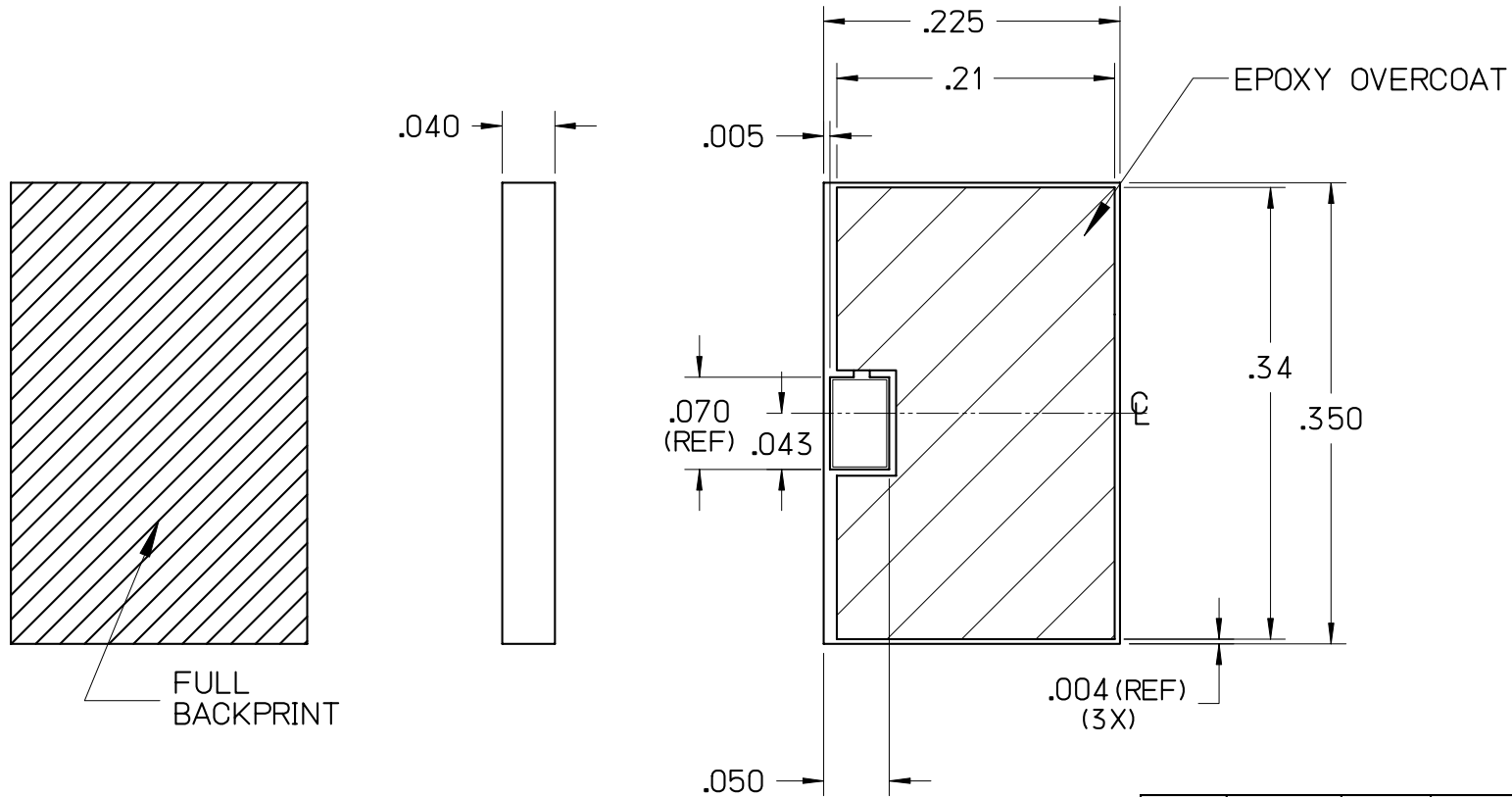
CT2335AB5CB

REV.

CT2335AB5C B

CHIP TERMINATION, HIGH POWER ALN

SPECIFICATIONS		FILE: TERMOUT
POWER MAX (WATTS):	100 CW	
RESISTANCE	50 OHMS (±5%)	



B	10/11/07	MAI	MAI	MAI	000601
A	06/28/07	MAI	-	-	000567
LEVEL	DATE	DRN.	CHK.	APP.	ECN

REVISIONS

DRN.	CHK.	APP.	SCALE
MAI	MAI	MAI	7" = 1"
DATE	DATE	DATE	.XX ± .015
06/28/07	06/29/07	06/29/07	.XXX ± .005



JOHANSON MANUFACTURING CORPORATION
 ROCKAWAY VALLEY ROAD, BOONTON, N.J. 07005 (973)334-2676 FAX (973)334-2954
 ELECTRONIC ACCURACY THROUGH MECHANICAL PRECISION

PROPRIETARY INFORMATION CONTAINED NOT TO BE USED WITHOUT JOHANSON MANUFACTURING CORPORATION APPROVAL