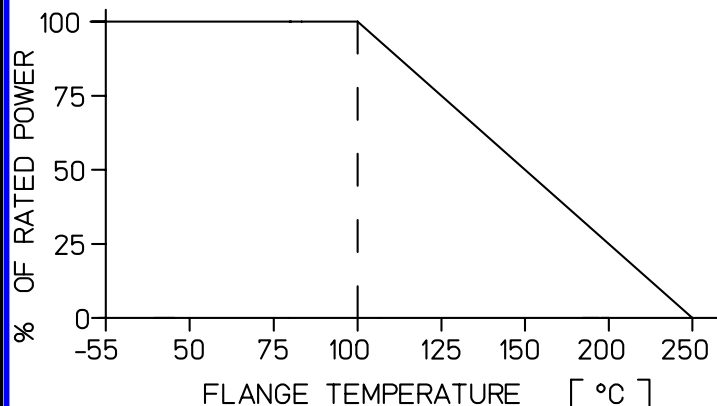


POWER DERATING



NOTES:

- 1) RoHS COMPLIANT
- 2) EPOXY PROTECTIVE COAT
- 3) Ni/Ag PLATED
- 4) THICK FILM RESISTIVE ELEMENT

MI DRG. NO.

CA3725A0207CD

REV.

CA3725A0207C

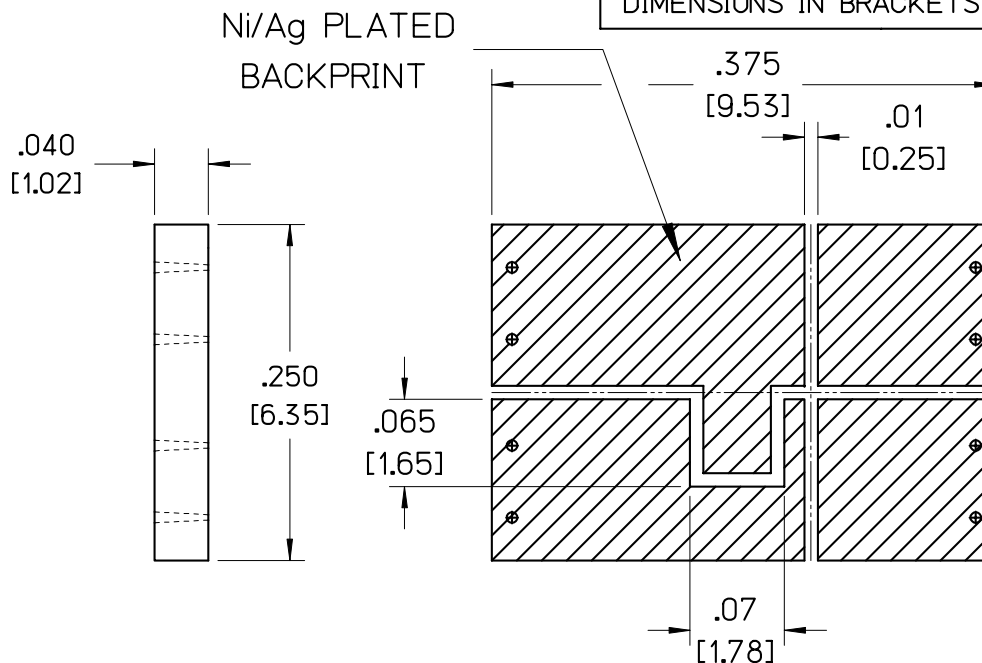
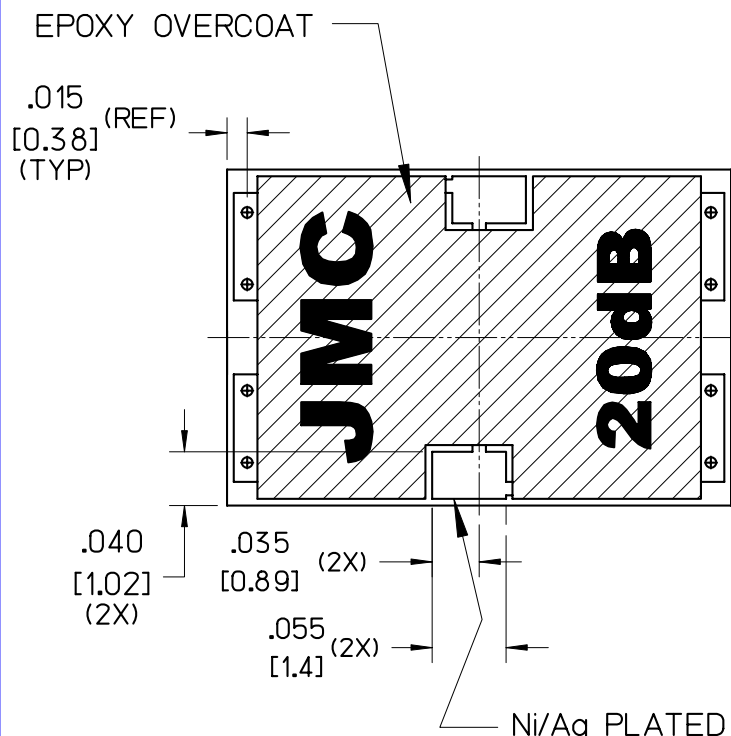
D

CHIP ATTENUATOR, HIGH POWER ALN

SPECIFICATIONS

FILE: ATNOUT

POWER MAX (WATTS):	100 CW
ATTENUATION	20dB (±0.5dB) DC-1GHz 20dB (±1.0dB) 1GHz-3GHz
FREQUENCY	VSWR
DC - 3000 MHz	1.2 : 1
DIMENSIONS IN BRACKETS ARE [mm]	



D	03/19/10	MAI	MAI	MAI	000821
C	10/01/08	SDJ	SDJ	MAI	000715
LEVEL	DATE	DRN.	CHK.	APP.	ECN

REVISIONS

DRN.	CHK.	APP.	SCALE
SDJ	SDJ	MAI	7" = 1"
DATE	DATE	DATE	.XX ± .015
11/21/07	12/05/07	12/05/07	.XXX ± .005



JOHANSON MANUFACTURING CORPORATION
 ROCKAWAY VALLEY ROAD, BOONTON, N.J. 07005 (973)334-2676 FAX (973)334-2954
 ELECTRONIC ACCURACY THROUGH MECHANICAL PRECISION