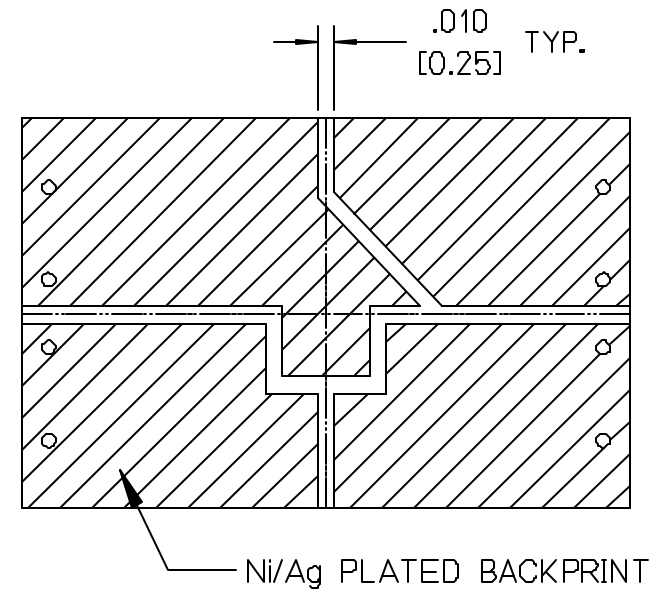
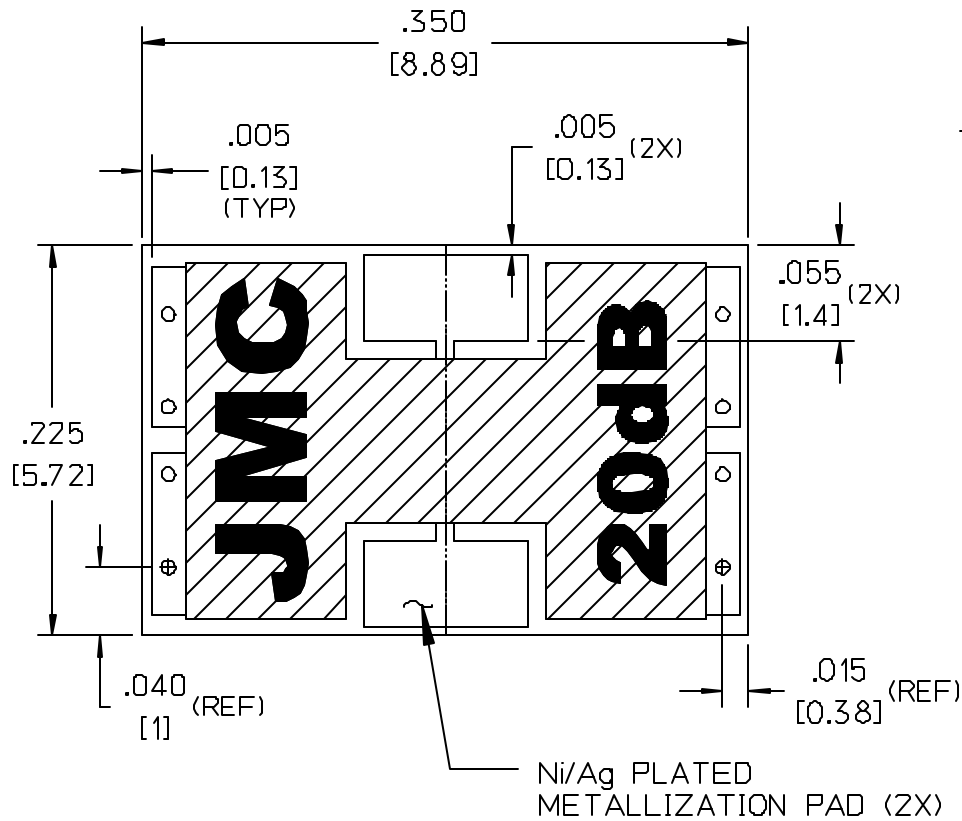


**CHIP ATTENUATOR, HIGH POWER, ALN**

SPECIFICATIONS	FILE ATTNOU
POWER MAX (WATTS):	150 CW
ATTENUATION	20 dB (±1.0 dB)
FREQUENCY	VSWR
DC - 2500MHz	1.2 1
DIMENSIONS IN BRACKETS IN [mm]	



C	06/09/09	SDJ	SDJ	MAI	000775
B	10/07/08	MLD	MAI	MAI	000719
A	10/06/08	MAI	-	-	000717
LEVEL	DATE	DRN.	CHK.	APP.	ECN

REVISIONS

DRN.	CHK.	APP.	SCALE
MAI	MAI	MAI	4" - 1"
DATE	DATE	DATE	.XX±.015 [38]
10/06/08	10/06/08	10/06/08	.XXX±.010 [254]



**JOHANSON MANUFACTURING CORPORATION**

ROCKAWAY VALLEY ROAD, BOONTON, N.J. 07005 (973)534-2676 FAX (973)534-2954  
ELECTRONIC ACCURACY THROUGH MECHANICAL PRECISION