

AF030B0303A

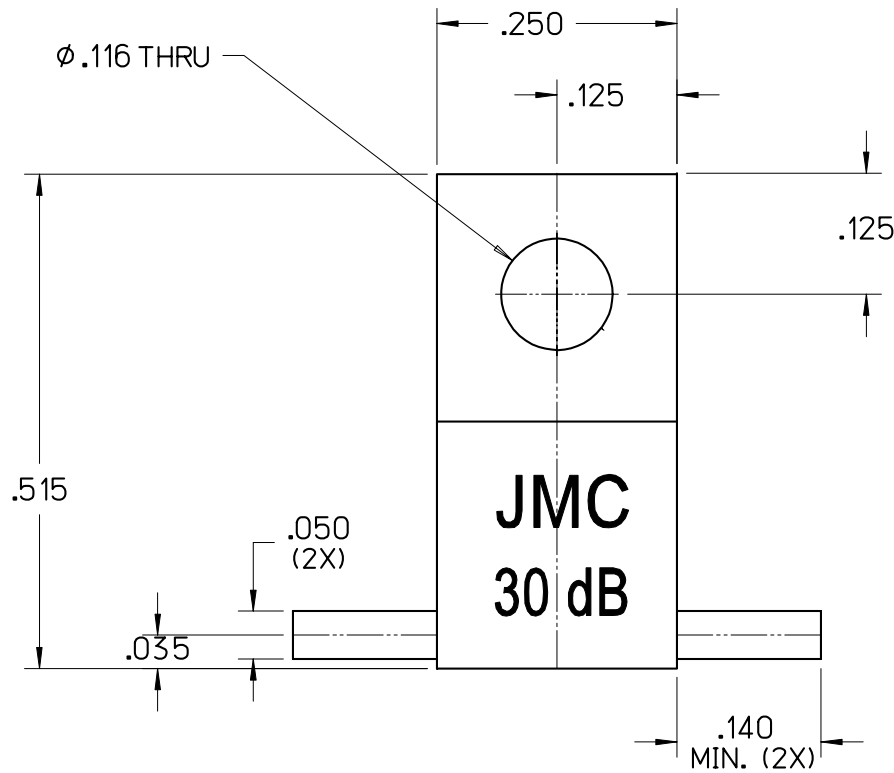
A

HIGH POWER BeO ATTENUATOR

SPECIFICATIONS

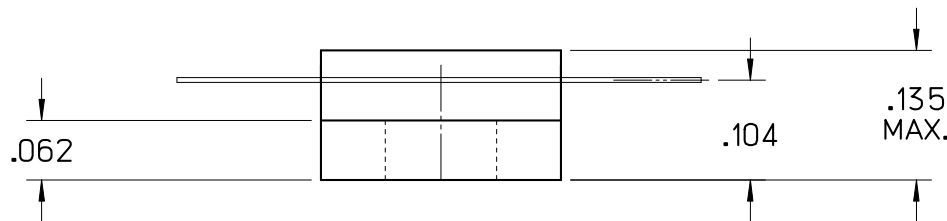
FILE: ATNOUT

POWER MAX (WATTS):	30 CW
ATTENUATION:	30 dB (±0.5dB)



CAUTION

THIS SUBSTRATE USES BERYLLIUM OXIDE
 USE CARE WHEN HANDLING.
 DO NOT SCRATCH OR ABRASIVE
 TRIM IN OPEN AREA.



A	01/17/09	MAI	-	-	000747
LEVEL	DATE	DRN.	CHK.	APP.	ECN

REVISIONS

DRN.	CHK.	APP.	SCALE
MAI	MAI	MAI	5" = 1"
DATE	DATE	DATE	.XX ± .015
01/17/09	01/17/09	01/17/09	.XXX ± .010



JOHANSON MANUFACTURING CORPORATION
 ROCKAWAY VALLEY ROAD, BOONTON, N.J. 07005 (973)334-2676 FAX (973)334-2954
 ELECTRONIC ACCURACY THROUGH MECHANICAL PRECISION